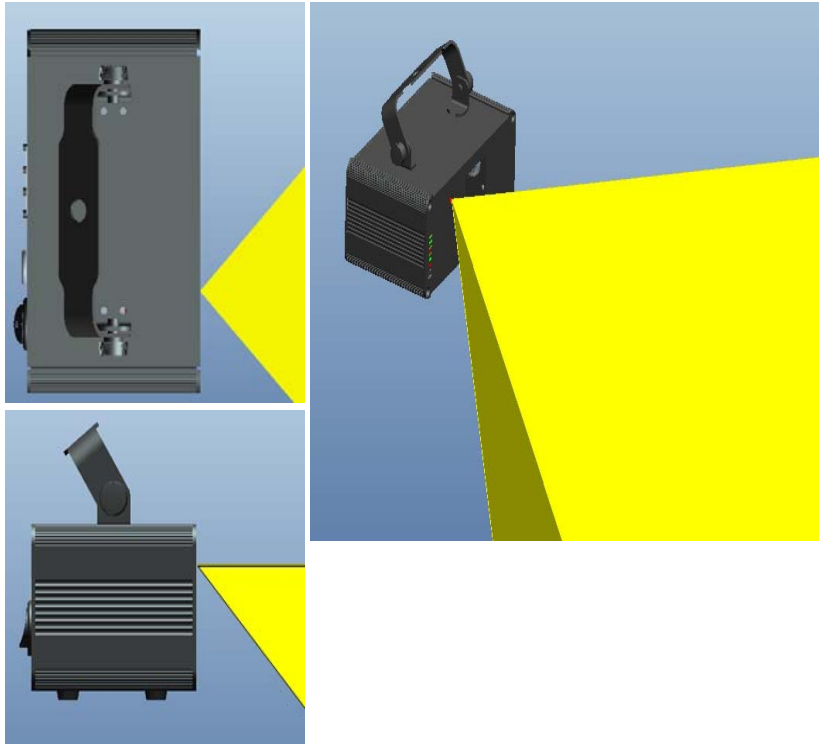
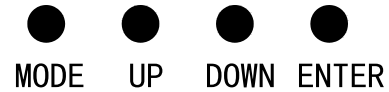
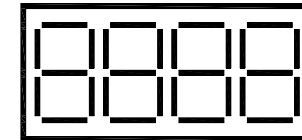


Infrared remote control receiving range



OPERATING INSTRUCTIONS

- Press "MODE " button, you can select "Auto ", " Soud ", " d*** ", " SLAV ", or" tEst ", one of five kinds of mode.
- In the " d***" work mode, Press "UP" or "DOWN" to set DMX address.
- Press "ENTER" to save the current work mode or DMX address.



WORK MODE DESCRIPTION

Display	Work Mode	Description
Auto	Auto Run Mode	Auto Run Mode
Soud	Sound Active Mode	Sound Active Mode
d***	DMX-512 Control Mode	Press "UP or "DOWN" to Set the DMX address
SLAV	Slave Mode	Slave Mode
tEst	Test Mode	Press "UP or "DOWN" to Select the single pattern

DMX CHANNELS DESCRIPTION

Channel	DMX Value	Function
CH1 Work Mode Selection	0-63	Blackout
	64-127	Auto mode
	128-191	Sound mode
	192-255	Manual mode
CH2	0-255	Select the Pattern
CH3 Zoom (Manual Mode)	0-127	Manually adjust the size
	128-255	Loop zoom in or out
CH4 X-axis rotation (Manual Mode)	0-127	Manual rotation adjustment
	128-255	Set the speed of X-axis rotation
CH5 Y-axis rotation (Manual Mode)	0-127	Manual rotation adjustment
	128-255	Set the speed of Y-axis rotation
CH6 Z-axis rotation (Manual Mode)	0-127	Manual rotation adjustment
	128-255	Set the speed of Z-axis rotation
CH7 Horizontal Movement (Manual Mode)	0-127	Manually adjust the position
	128-255	Set the speed of left and right loop movement
CH8 Vertically Movement (Manual Mode)	0-127	Manually adjust the position
	128-255	Set the speed of up and down loop movement
CH9 (RG/RB/GB model) Color Select (Manual Mode)	0-63	Own color
	64-127	Yellow/ Pink/ Cyan
	128-191	Red/ Green/ Blue
	192-255	Red/ Green/ Blue

Channel	DMX Value	Function
CH9 (RGB model) Color Select (Manual Mode)	0-63	Own color
	64-95	Red
	96-127	Green
	128-159	Blue
	160-191	Yellow(Red&Green)
	192-223	Pink(Red&Blue)
	224-255	Cyan(Green&Blue)

★ Single color model only 8 channels.

IR REMOTE CONTROL DESCRIPTION

